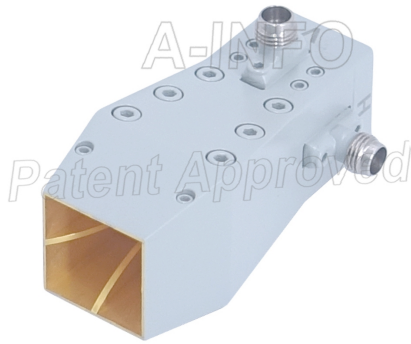


For reference only. See data sheet for the detailed specifications.

Technical Specification



| | |
|----------------------------|-------------------------|
| Frequency Range(GHz) | 18.0 – 54.0 |
| Gain(dBi) | 15 Typ. |
| Polarization | Dual Linear |
| 3dB Beamwidth(deg) | E Plane: 44 - 19 |
| | H Plane: 54 - 22 |
| Cross Pol. Isolation(dB) | 30 Typ. ; 20 Min. |
| Port to Port Isolation(dB) | 35 Typ. ; 25 Min. |
| VSWR | 1.5:1 Typ. |
| | 2.0:1 Max. |
| Connector | 2.4mm-Female |
| | or 1.85mm-Female |
| Power Handling(W CW) | 2.4mm-Female: 10 Max. |
| | 1.85mm-Female: 5 Max. |
| Material | Al |
| Finish | Gold Plated, Gray Paint |
| Size(mm) | 33.4 x 33.4 x 61.5 |
| Net Weight(Kg) | 0.07 Around |

US D976881

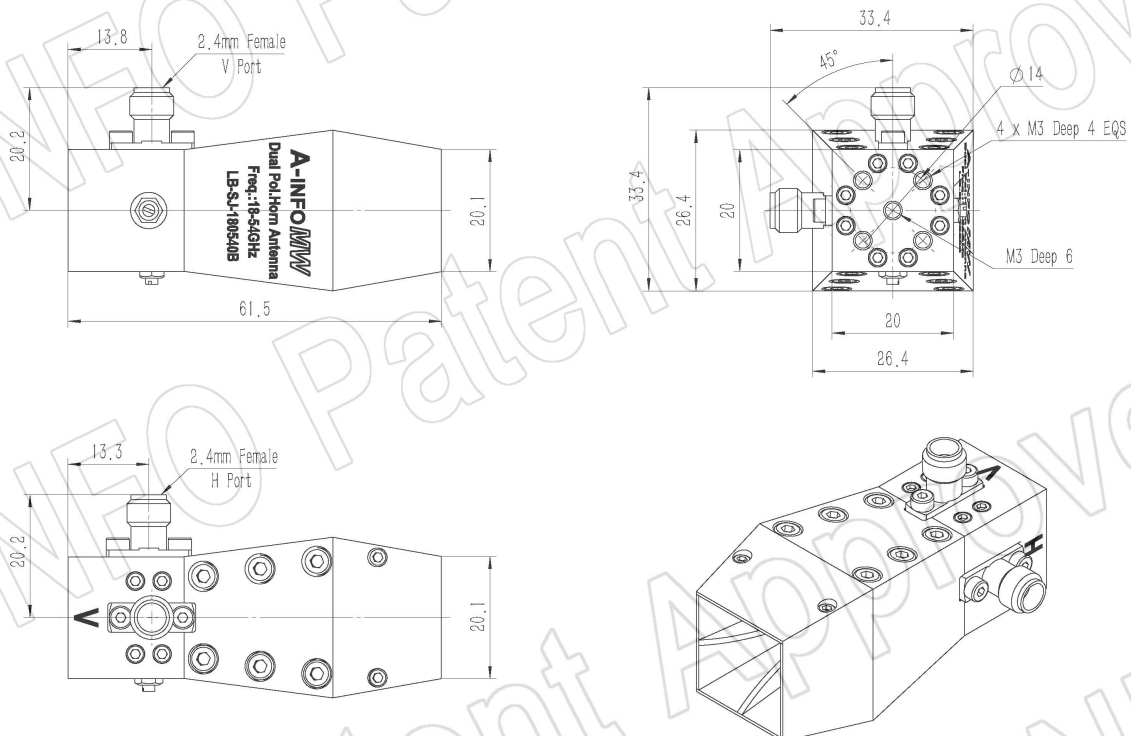
PATENT ID (China)

ZL202110169216.0, ZL202120347928.2, ZL202030750673.5

Outline Drawing (Size: mm)

2.4mm-Female Output (P/N: LB-SJ-180540B-2.4F)

For 1.85mm-Female output outline drawing, please contact A-INFO.



AINFO Inc.

China(Beijing):
China(Chengdu):
USA :

Tel: (+86) 10-6266-7326,
Tel: (+86) 28-8519-2786,
Tel: (+1) 949-639-9688,

(+86) 10-6266-7327
(+86) 28-8519-3044
(+1) 949-639-9608

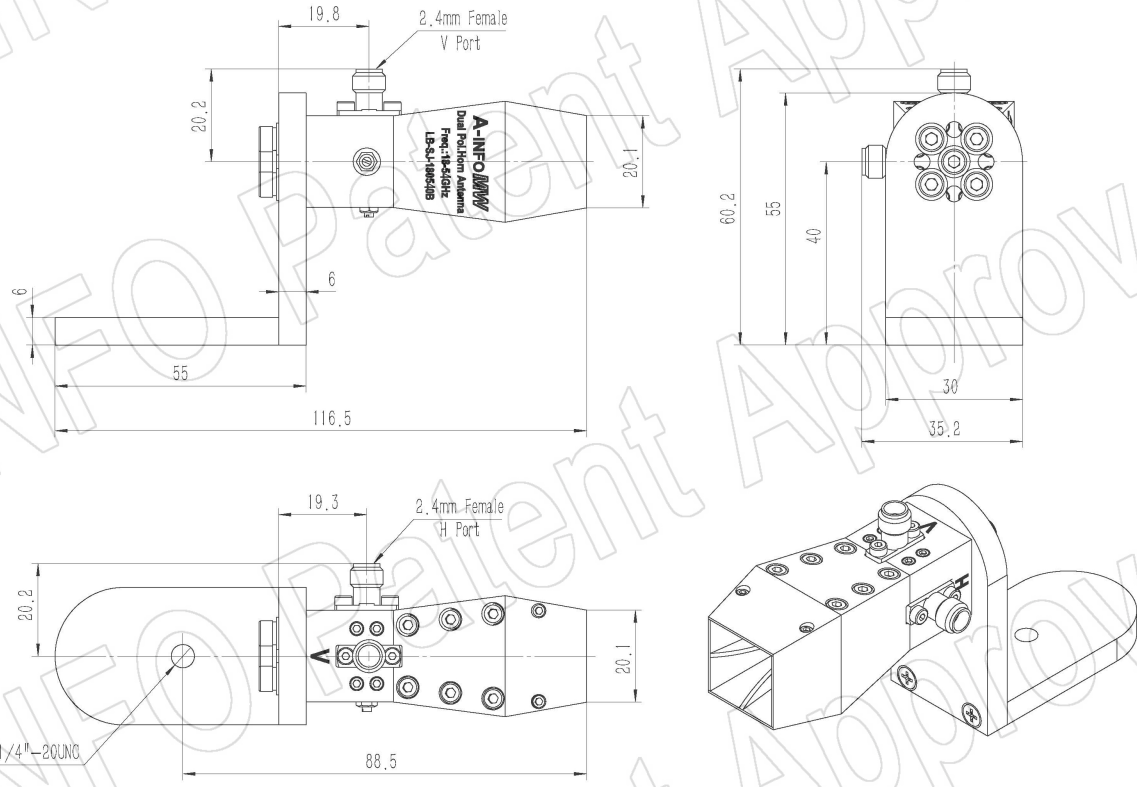
Page 1 of 19

Fax: (+86) 10-6266-7379
Fax: (+86) 28-8519-3068
Fax: (+1) 949-639-9670

Website: www.ainfoinc.com
Email: sales@ainfoinc.com

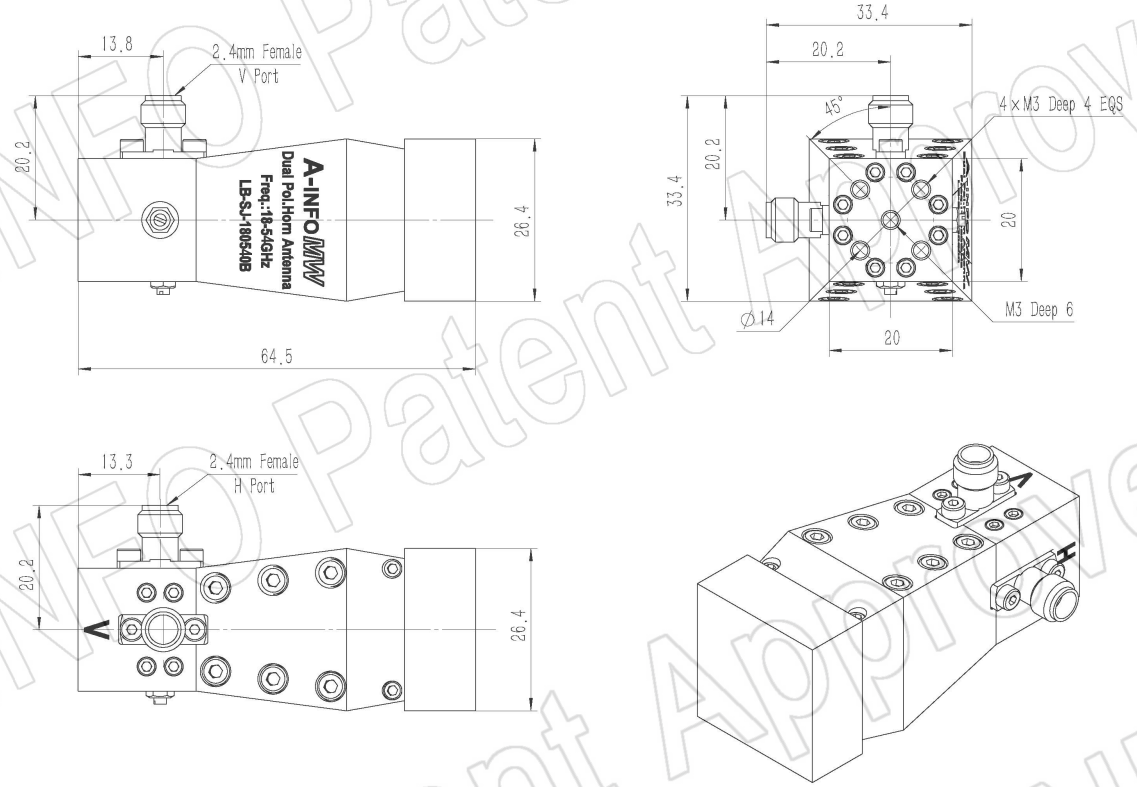
2.4mm-Female Output with L Type Mounting Bracket (Option, P/N: LB-SJ-180400-L)

For 1.85mm-Female output outline drawing, please contact A-INFO.



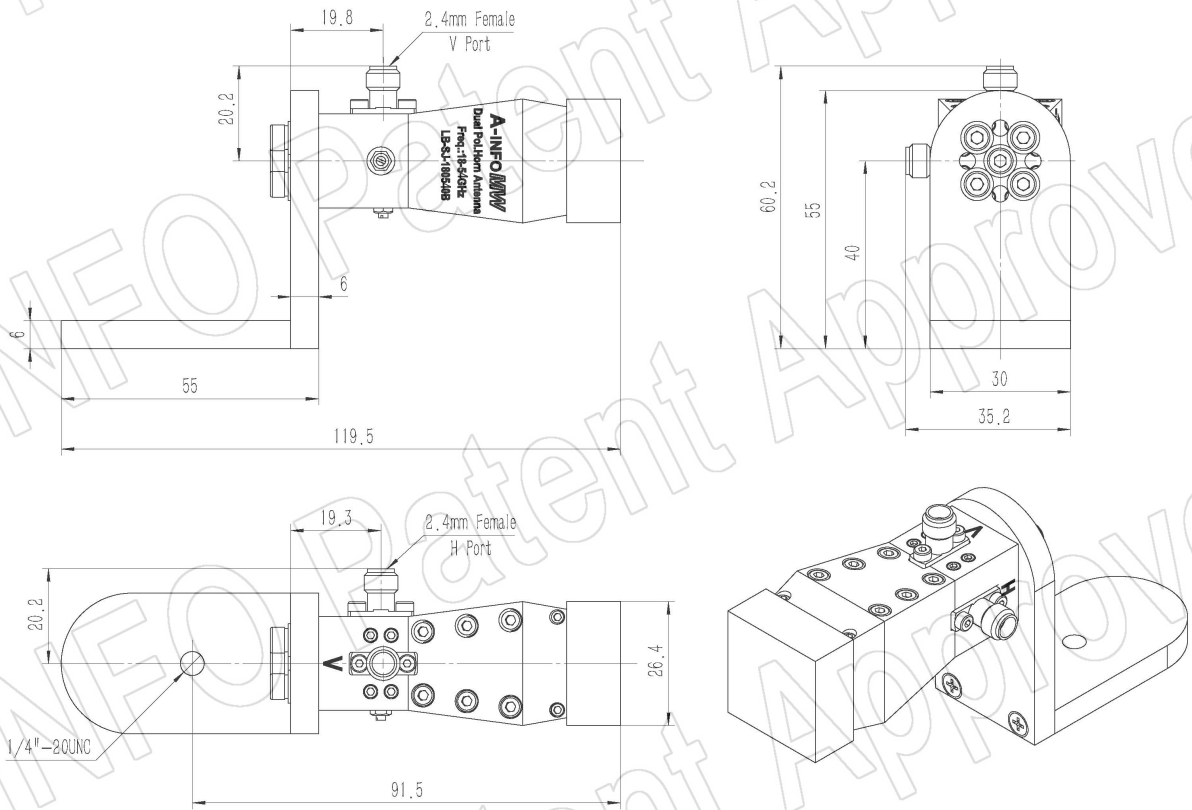
2.4mm-Female Output with Radome (Option, P/N: LB-SJ-180540B-2.4FSP0, Outdoor Application)

For 1.85mm-Female output outline drawing, please contact A-INFO.



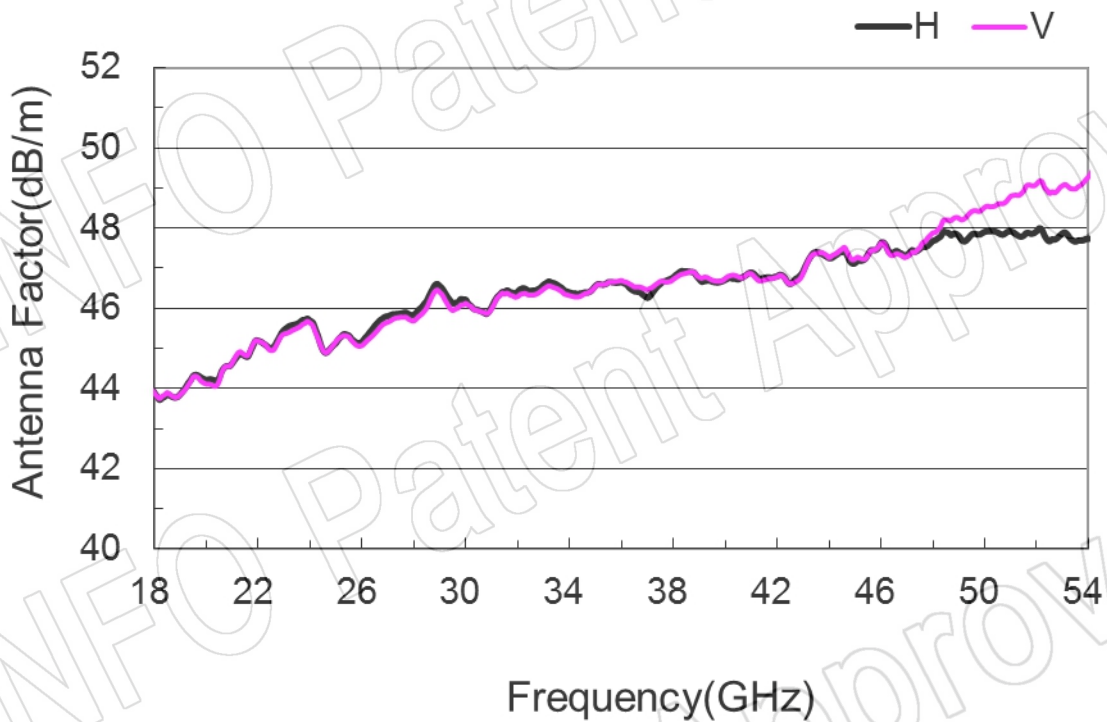
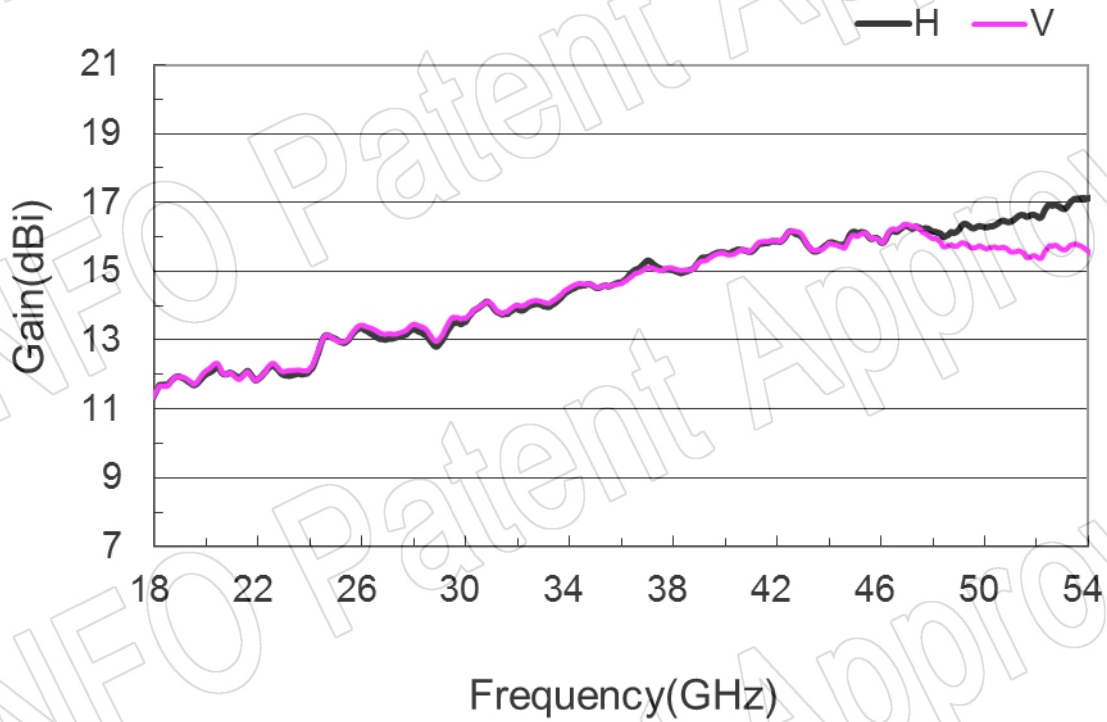
2.4mm-Female Output with L Type Mounting Bracket & Radome (Option, P/N: LB-SJ-180400-L & LB-SJ-180540B-2.4FSPO, Outdoor Application)

For 1.85mm-Female output outline drawing, please contact A-INFO.

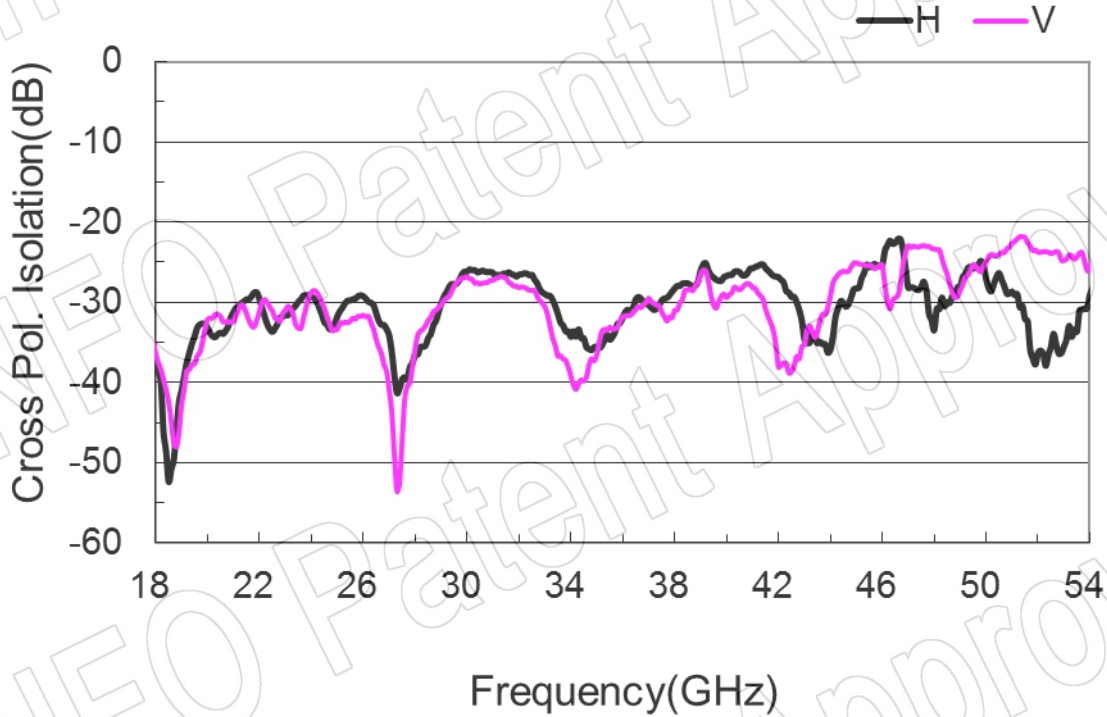


Test Results

1. Gain & Antenna Factor



2. Cross Polarization Isolation

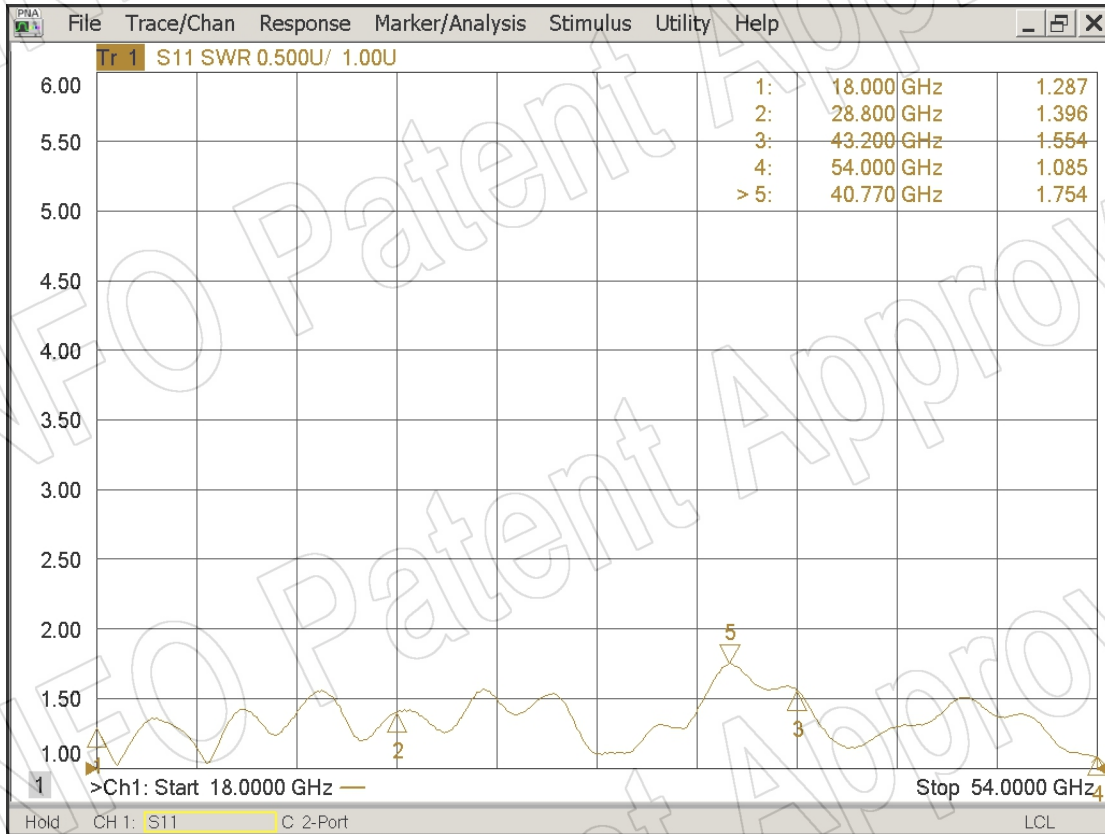


3. Port to Port Isolation

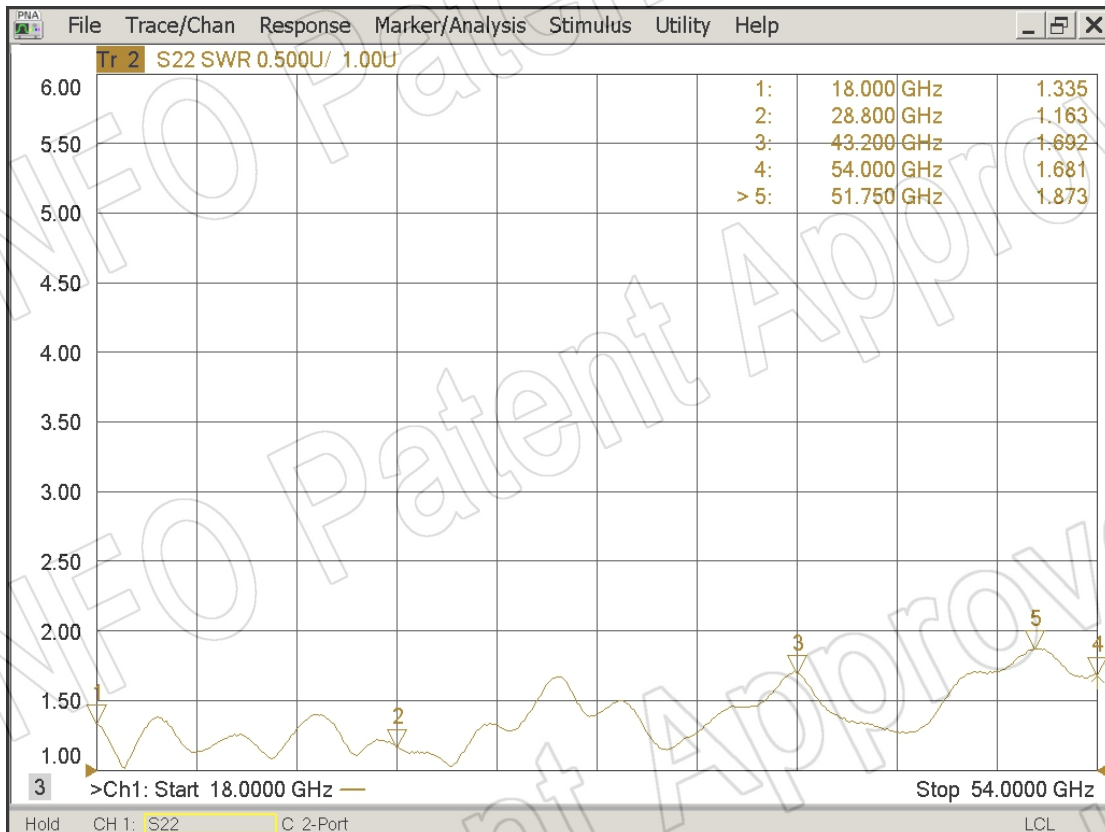


4. VSWR

Port-H



Port-V



5. Pattern

